

A,
Desk table 160 x 75
by Naoto Fukasawa

kettal

Desk table 160 x 75

Designer
Naoto Fukasawa

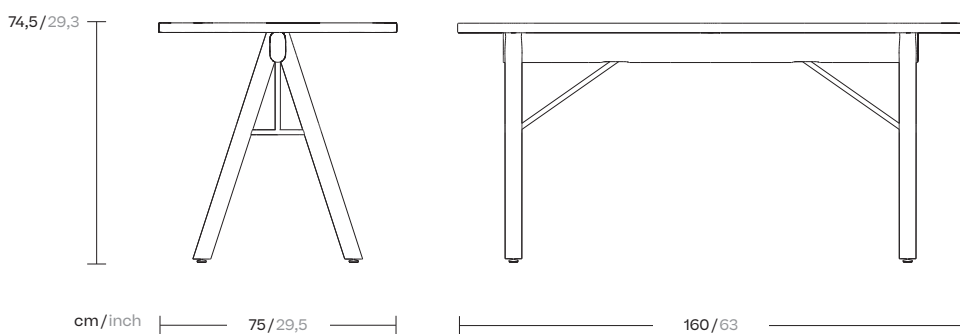
Collection
A

Reference
KSA000200

1/6

Chairs and desks made of solid wood are not very common in the office environment. The concept of workplaces integrating home and office made a change. Collection A consists of a stackable armchair, with upholstered seat and backrest, and tables in three sizes: Home Deck, Meeting Table and Workstation, in natural and dark oak wood.

cm/inch



kettal

Desk table

160 x 75

Designer
Naoto Fukasawa

Collection
A

Reference
KSA000200

2/6

Materials

Wood
100% Ash

Other Characteristics

 Indoor use only

 Adjustable legs

Maintenance

We recommend treating the wood with sealer every three months. To restore the wood to its original appearance, sand the entire surface and apply the sealer.

* The use of natural wood might reflect tone variations

Structure

Wood*



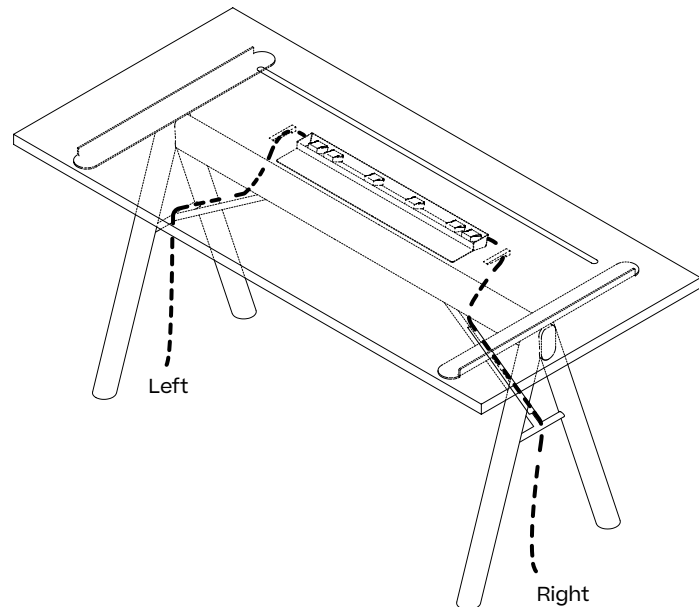
Natural Oak



Burnt Oak

Notes

- 1 | Add your Kettal electrical accessories to complement the desk up to 4 units MAX.
- 2 | Built-in connectivity system:
Input 100V - 240V | Max current 16A | EU 3300W Max | USA 1800W Max
- 3 | Power cable included (3 meters long, allows Right or Left connection to the table).
- 4 | Cable holder included.
- 5 | Adjustable gliders included.
- 6 | Select your region-specific socket.



Desk table 160 x 75

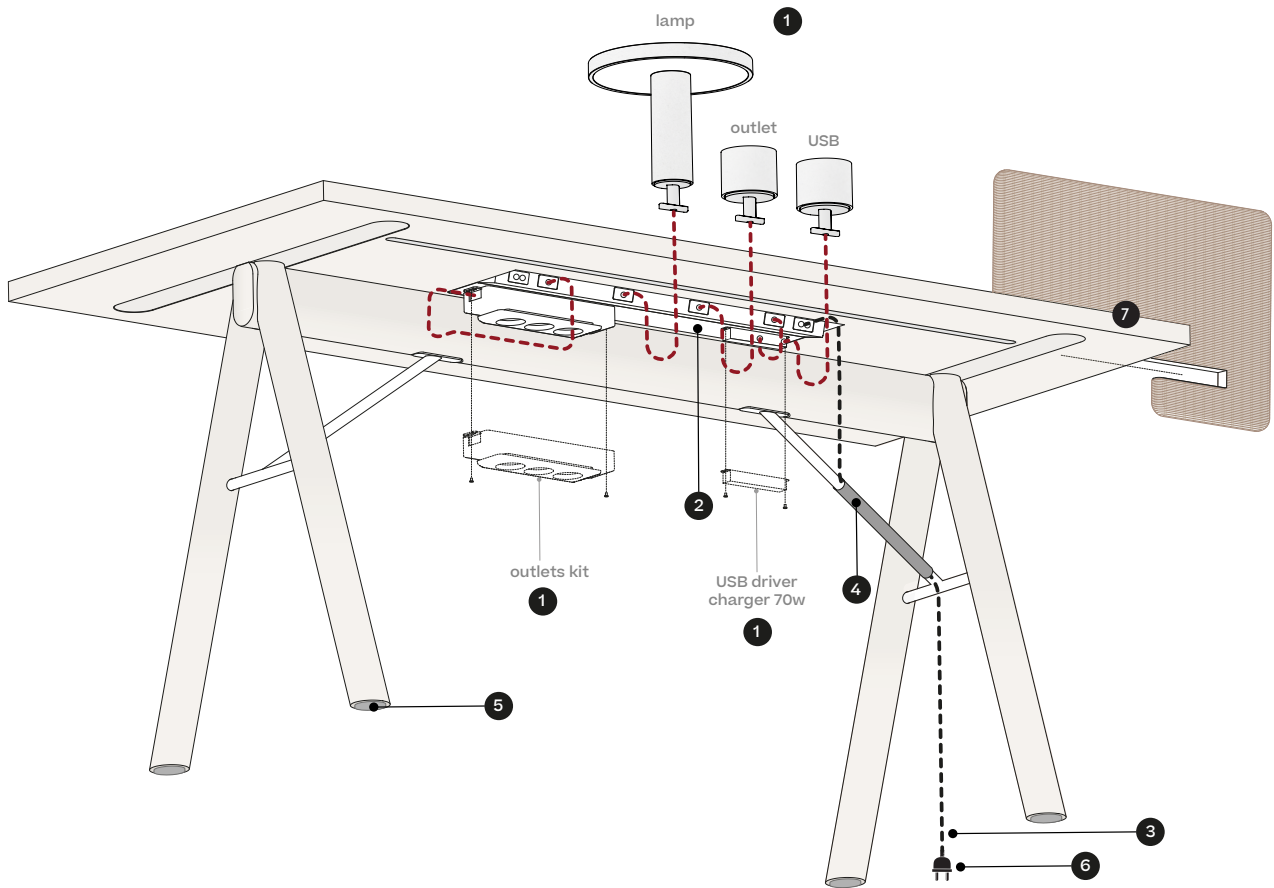
Designer
Naoto Fukasawa

Collection
A

Reference
KSA000200

3/6

A collection scheme



- 1 Electrical accessories
- 2 Connectivity system integrated
- 3 Power cable
- 4 Cable holder clip
- 5 Adjustable table levelers
- 6 Worldwide electrical plugs
- 7 Screen divider

kettal

Desk table 160 x 75

Designer
Naoto Fukasawa

Collection
A

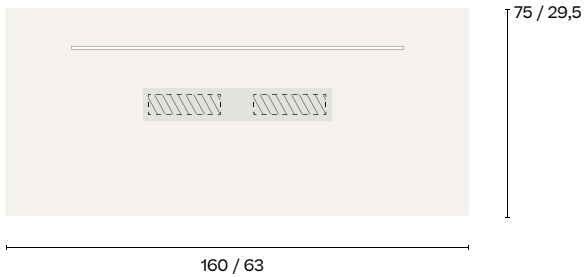
Reference
KSA000200

4/6

Restrictions framework for USB charger & Outlets kit under tabletop (This requirement doesnt affect the Lamp or the Ceramic Outlet)

Home Desk (free room for 2 units)

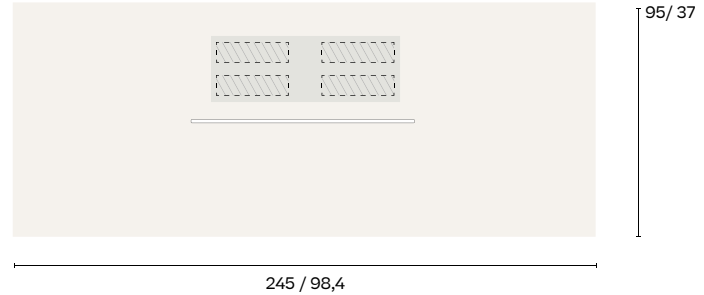
*bottom view



A USB driver	B Outlets kit under table
1 u.	1 u.
2 u.	X
X	2 u.

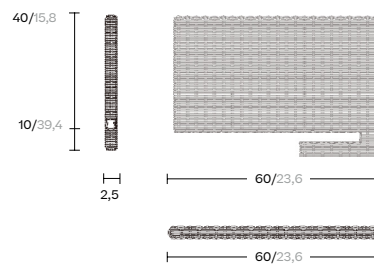
Meeting table (free room for 4 units)

*bottom view



A USB driver	B Outlets kit under table
4 u.	X
3 u.	1 u.
2 u.	2 u.
1 u.	3 u.
X	4 u.

Side screen divider



Color Options



Natural
Rattan



Deep Brown
Rattan



1 | Side divider could work to other 30mm thickness tabletops.

2 | Made of Natural rattan.

Desk table 160 x 75

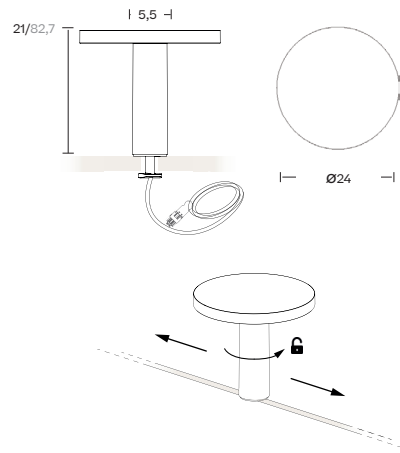
Designer
Naoto Fukasawa

Collection
A

Reference
KSA000200

5/6

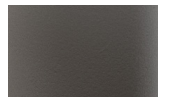
Lighting accessories



Color Options



Bone



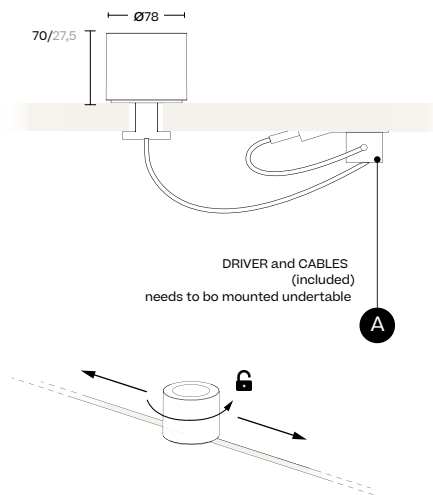
Charcoal

1 | This table lamp has a specific power and plug solution.

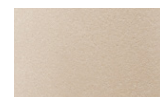
2 | UL compliance certificate all internal electrical components.

3 | Lamp performance:
Light source included, built.in
15W LED Input 110V - 240V 50 /
60 Hz
3 steps dimmable
2700K | CRI90

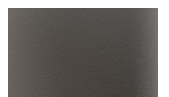
USB-a | USB-c charger station 70W



Color Options



Bone



Charcoal

1 | USB-C provides up to 70w delivery for laptop charging capability.

2 | USB-A provides up to 12W for tablets and phones.

3 | This charger station comes with a driver A that needs to be mounted under the table top.

4 | USB charger station is designed for this collection tables, it has a special power and plug solution for the collection.

kettal

Desk table 160 x 75

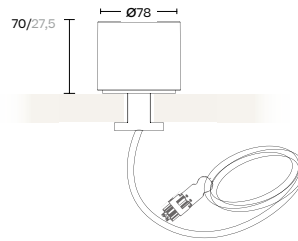
Designer
Naoto Fukasawa

Collection
A

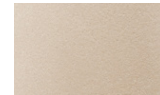
Reference
KSA000200

6/6

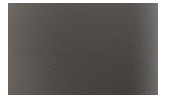
Power outlet



Color Options



Bone

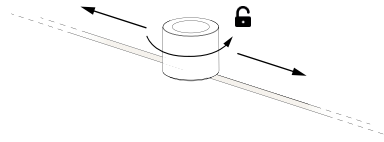


Charcoal

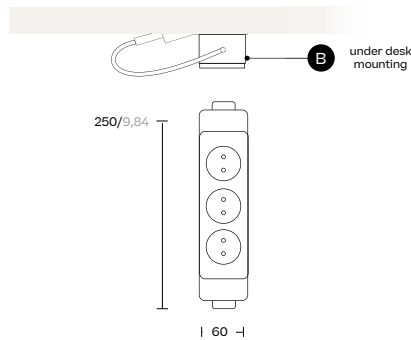
1 | This outlet is designed for the "A" collection tables, it has a specific power and plug solution.

2 | UL compliance certificate all internal electrical components. 3 | Input 110 - 240V | Max current 16A.

4 | Select your region-specific version.



Outlet kit under table



1 | The kit provides 3 outlets.

2 | Screws and cable included (mounting under table required).

3 | Input 110 - 240V | Max current 16A.

4 | Select your region specific version.

5 | The installation of this accessory has units limitation, please see the reference framework below.

kettal